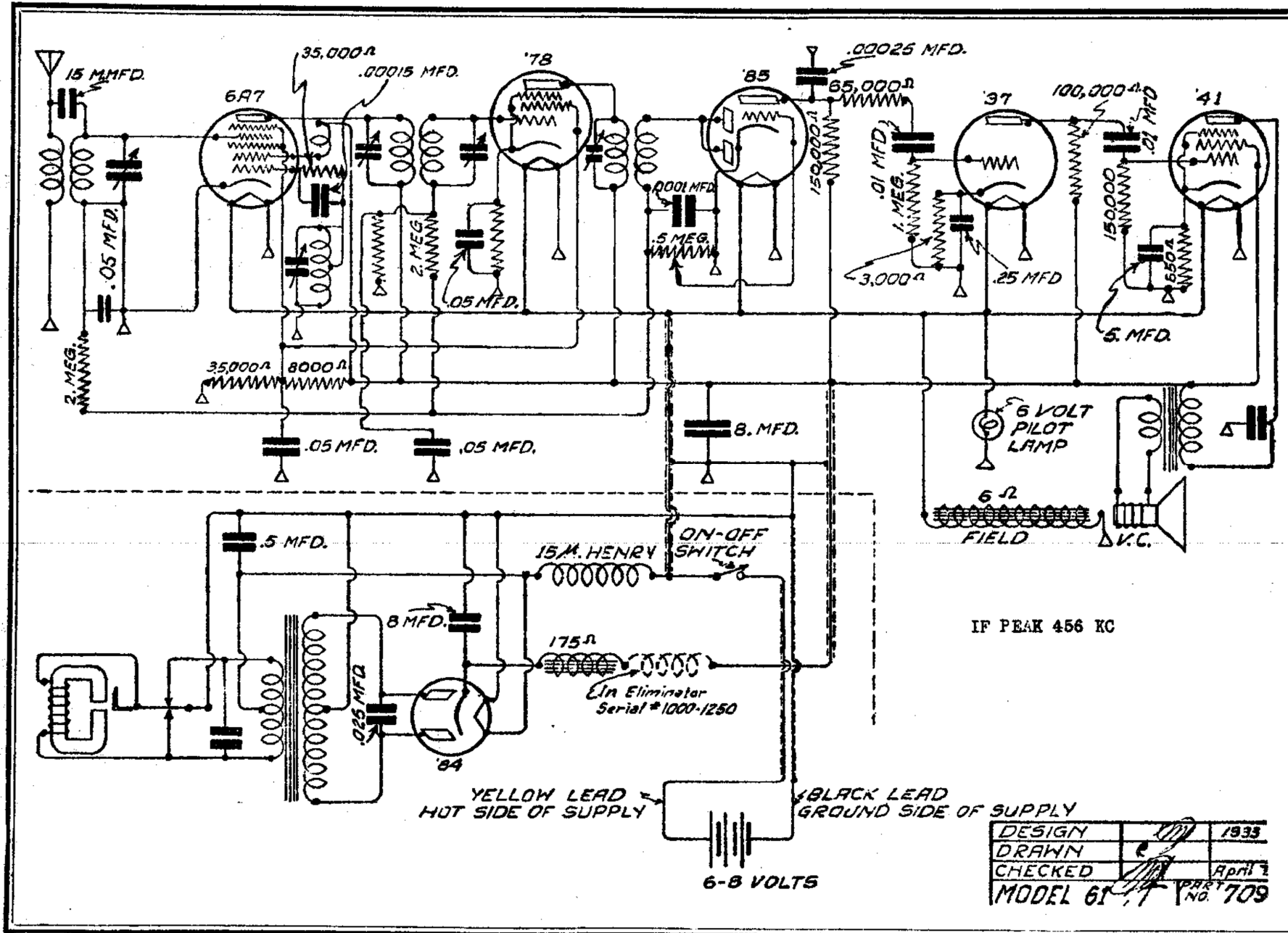


MODEL 61-R
Schematic

A. H. GREBE & CO.



IF PEAK 456 KC

YELLOW LEAD HOT SIDE OF SUPPLY
BLACK LEAD GROUND SIDE OF SUPPLY

6-8 VOLTS

DESIGN		1933
DRAWN		
CHECKED		April 7
MODEL 61-R	PART NO. 709	